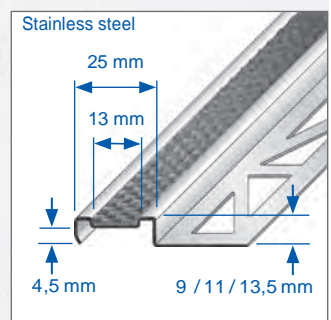
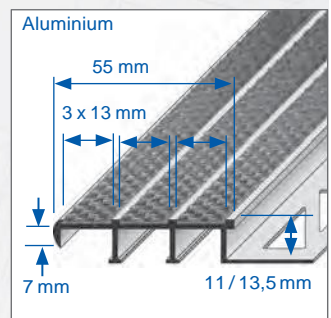
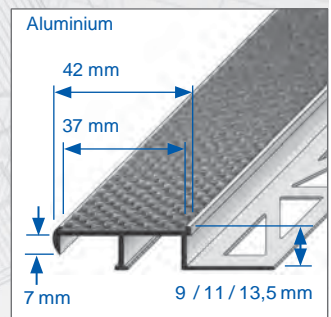
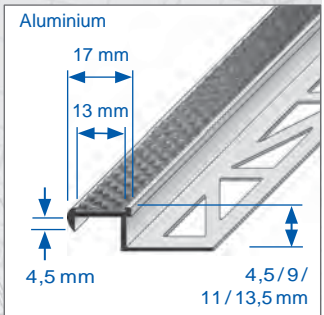
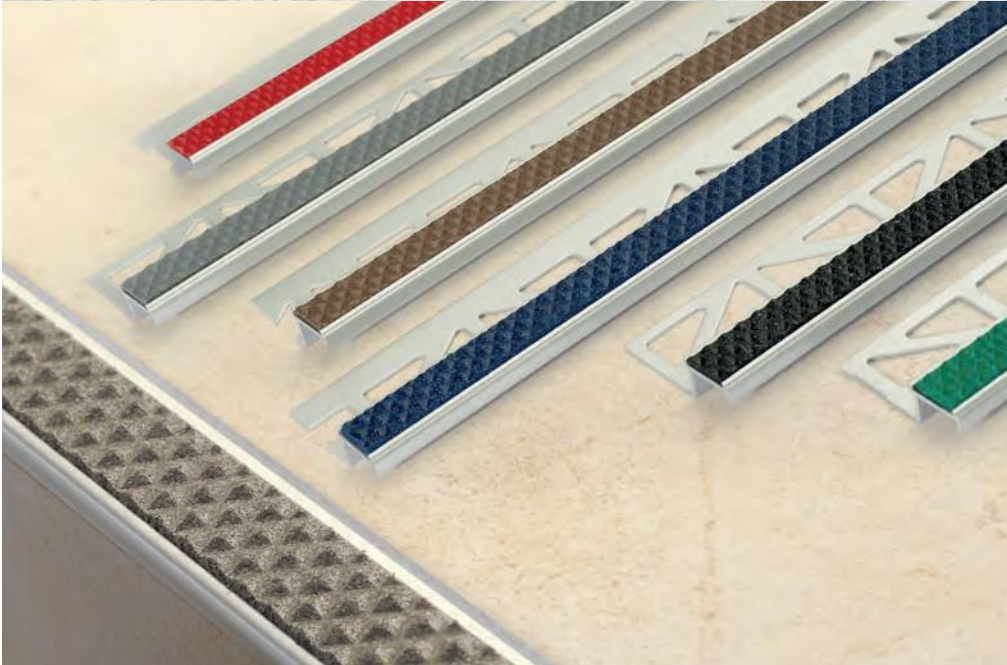


# DIAMONDSTEP

1/2

## Step-nosing profile for tiled surfaces with non-slip safety insert

**DURAL**



### APPLICATION:

DIAMONDSTEP is a step-nosing profile made of anodised aluminium or stainless steel with an interchangeable non-slip insert made of PVC that has a robust anti slip surface. This step-nosing profile is used to create safe and attractive step edgings for both indoor and outdoor stairs.

DIAMONDSTEP can be used in private, public and business premises where there is moderate pedestrian traffic. It is used in combination with tiles, panels, natural stone and mosaic flooring, laid using the thin-bed method.

DIAMONDSTEP is a particularly slip-resistant step nosing profile that meets the requirements of BGR Leaflet 181 "Floors in working areas with slip hazards" published by HVGB (German Federation of Institutions for Statutory Accident Insurance and Prevention). The step-nosing profile also protects the edges of the steps against mechanical damage and ensures that they are highly visible, in line with the DIN 18040 / 1-2 regulations regarding barrier-free building (covering high-contrast step edgings, for example).

If the non-slip DIAMONDSTEP safety inserts are damaged or if a new colour scheme is required, for instance, they can be relatively easily replaced by new inserts, which are fixed in place with adhesive.

### MATERIAL:

The DIAMONDSTEP step-nosing profile is made of anodised solid aluminium or stainless steel (304) with a triaxially-punched bearing plate and a recess at the top for the DIAMONDSTEP non-slip safety insert. The front edge of the profile protrudes 4.5 / 7 mm beyond the edge of the step and overlaps the top edge of the riser below. The non-slip safety insert consists of a self-adhesive PVC insert that is 3 mm thick and 13 / 37 mm wide. It has a robust diamond-pattern surface structure that provides adequate slip-resistance.

### INSTALLATION:

The DIAMONDSTEP step-nosing profiles are fixed in place during the tile-laying process, using flexible mortar in accordance with DIN EN 12004. The profiles must be fitted such that the entire tread area of the profile is in contact with the riser and the profile overhang extends over the top edge of the riser and sits flush against it. The top surface of the profile must be flush with

**STONE CONCEPT HOLDINGS P/L**

3/179-183 Woodpark Road,  
Smithfield, NSW, 2164  
Tel. +61 (02) 9757 3880  
Fax +61 (02) 9818 5073

products@stoneconcept.com.au



# DIAMONDSTEP

2/2

**DURAL**

## Step-nosing profile for tiled surfaces with non-slip safety insert

the stair tread. A joint approximately 2 mm wide must be left between the tiles and the step-nosing profile and must be filled using a non-abrasive jointing mortar. Before filling the joints, the diamond-structure inserts should be covered using masking tape to protect them from soiling and minimise cleaning. All traces of adhesive or jointing materials must be removed from the anodised aluminium or stainless steel surfaces immediately to prevent irreversible corrosion stains.

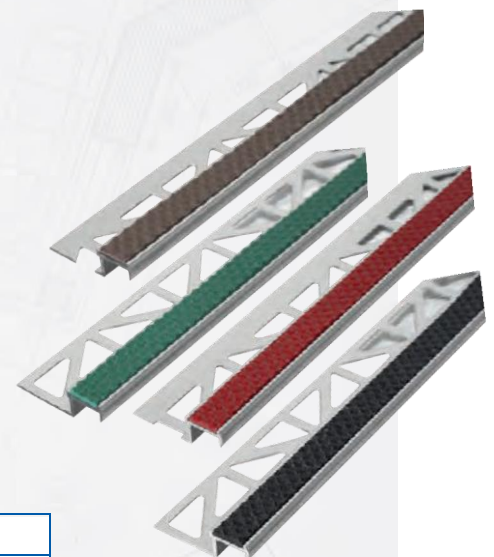
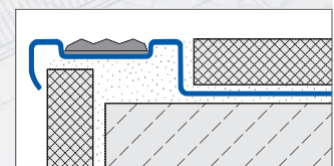
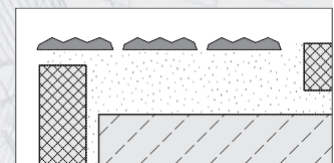
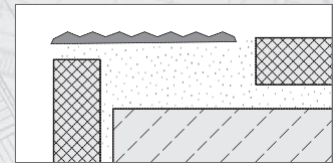
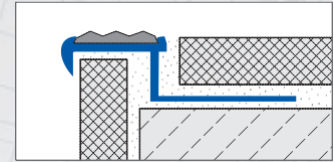
If profiles need to be shortened, they should be cut through using a fine metal saw (hacksaw) or a suitable fixed compound saw. The use of an angle grinder is not recommended. Profiles must always be cut at right angles and be properly finished. For inside and outside corners, the profiles must be cleanly cut at an angle to form mitered joints.

The DIAMONDSTREDED profile inserts can be replaced, if required. Before fixing the new insert in the profile, the profile recess must be thoroughly cleaned using acetone to remove all residues from the surface.

For all products and materials, the following rules apply: The suitability of the product or material with regard to the level of mechanical and chemical exposure must be checked carefully in each case. The recognised rules of good engineering practice must always be observed.

### CLEANING AND CARE:

DIAMONDSTEP profiles require no special cleaning or care. Cleaning agents must be free of salt, hydrofluoric acid and other aggressive additives and should not scratch the surface of the profiles. Only neutral cleaning agents with pH values of approximately 6–7.5 should be used. For general cleaning, we recommend the use of clean water with a small amount of detergent added. The DIAMONDSTREDED profile inserts can be cleaned using a suitable brush.



### PRODUCT DATA:

<b>MATERIAL:</b>	Profile = anodised aluminium, stainless steel (304); Insert = PVC
<b>COLOUR OF DIAMONDSTREDED INSERTS:</b>	17 colours including luminous colours
<b>SLIP RESISTANCE:</b>	Work areas / work rooms: R 10 / V6, Wetbarefoot areas: Class B
<b>PROFILE LENGTH:</b>	250 cm
<b>VISIBLE WIDTH:</b>	Aluminium = 17 / 42 / 54 mm; Insert width = 1x13/3x13/1x37 mm Stainless steel = 25 mm; Insert width = 1x13 mm
<b>PROFILE HEIGHT:</b>	1x13 = 4,5 / 9 / 11 / 13,5 mm; 1x37 = 9 / 11 / 13,5 mm; 3x13 = 11 / 13,5 mm
<b>INTENDED PURPOSE:</b>	Step-nosing profile with safety insert

### STONE CONCEPT HOLDINGS P/L

3/179-183 Woodpark Road,  
Smithfield, NSW, 2164  
Tel. +61 (02) 9757 3880  
Fax +61 (02) 9818 5073

products@stoneconcept.com.au